

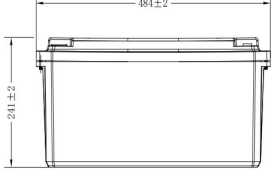
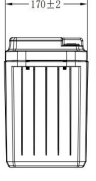
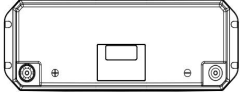
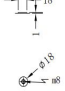




LITHIUM IRON PHOSPHATE ENERGY STORAGE BATTERY

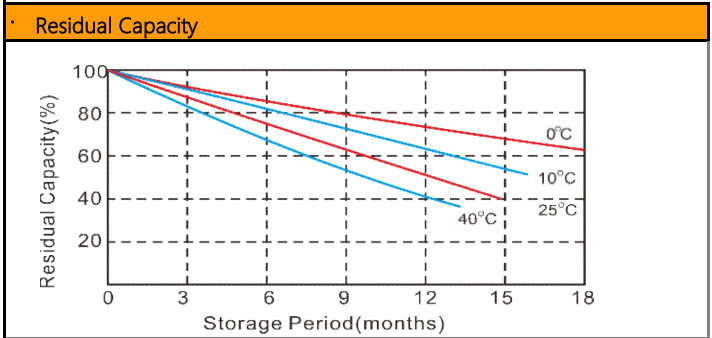
MODEL: CNLFP150-12.8

NO.: 302150061-20140096

	Container Color	PANTONE	Plane Chart:	
		3516C	484±2	170±2
		Black C	241±2	
	Terminal type	LC4		
	120 A	BMS		
	20230919	Time		
	 UN38.3		   	

Function	(NO) Digital Display	(NO)Bluetooth	Product Size: 484*170*241 (mm)
----------	----------------------	---------------	---------------------------------

Parameter Chart:		
Rated Voltage	12.8	V
Rated Capacity(25°C)	150	Ah
Series & Parallels	4 ~ 1	S/P
Voltage Range	9.2 ~ 14.6	V
Rated Energy	1920	Wh
Maximum Discharge Current	120	A
Maximum Charge Current	120	A
Discharge cut-off voltage	≥ 9.2	V
Charge voltage	14.6	V
Cycle life(@25°C ,100%DOD)	≥ 4000	Cycle
Float Voltage	13.6 ~ 13.8	V
Operating humidity	60 ± 25%	R.H.
Certified	CE/UN38.3	
Communication	/	
Total Weight	Approx. 17.90	Kg(±0.9)
Operating temperature	Charging 0 ~ 45°C Discharging -10 ~ 50°C	



Constant Current Discharge Characteristics (A, 25°C)

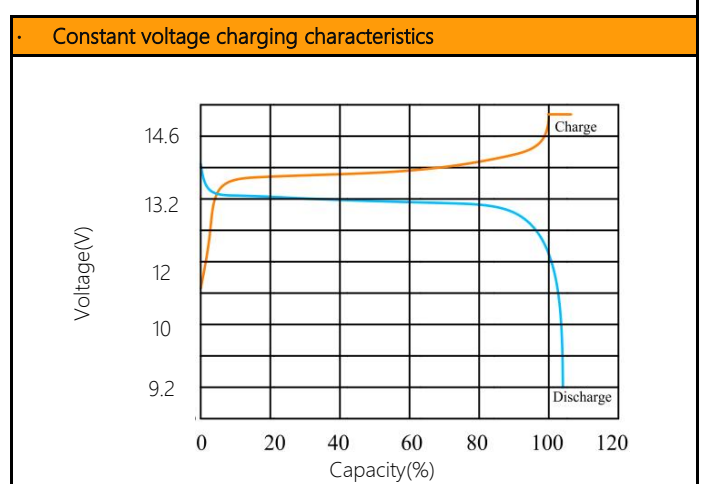
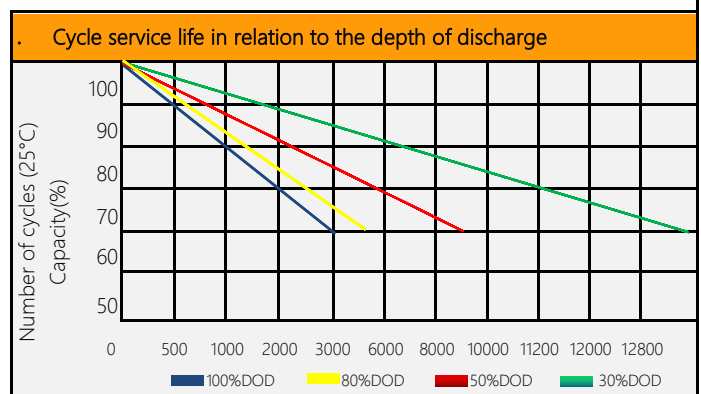
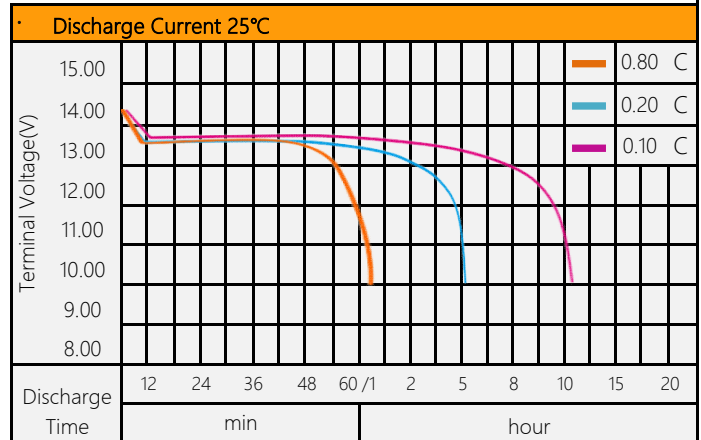
Time(h)	1.25	2.50	5.00	6.25	10.00	12.50	18.75	25.00
Current (A)	120.0	60.0	30.0	24.0	15.0	12.0	8.0	6.0

Constant Power Discharge Characteristics (Watt, 25°C)

Time(h)	1.25	2.50	5.00	6.25	10.00	12.50	18.75	25.00
Watt (W)	1536.0	768.0	384.0	307.2	192.0	153.6	102.4	76.8

Capacity Factors With Different Temperature

Discharge	-20	-10	0	10	20	25	30	40	50	55	60
		30%	50%	75%	90%	100%	100%	100%	98%	97%	96%



★The above are average and data obtained from the first 3 charge/discharge cycles. These are not minimum values.