



Temperature



High IP value



Shock / Vibration resistant



Magnetic field proof

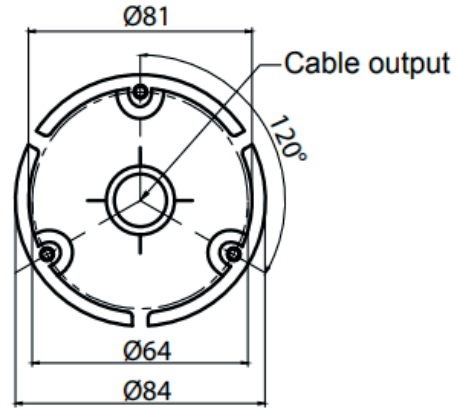
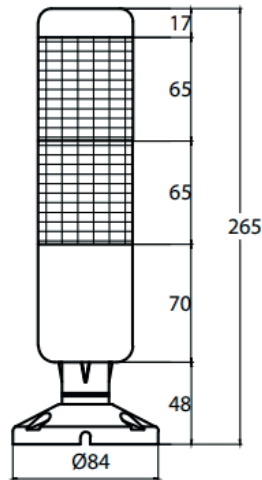


SMD LED Light

Technical Data - Electrical Ratings

Voltage Supply	12V/24V AC-DC / 110-220VAC
Signal Type	Red, Yellow, Green, Blue, White
Light Colors	Continuous/Flasher/Strobe
Power Consumption	R : 1,3W G : 0,7W Y : 1,5W B : 0,8W W : 0,7W
Connection	Cable
Buzzer Output	92dB @ 1 meter
Buzzer Tone Type	Pulse
Dimensions	51,3 x 74,7 x 317mm
Weight Approx	241.5g
Protection	IP65
Body Material	ABS
Mounting	Base Mounting
Luminous Source	LED
Lens Material	Polycarbonate

Technical Drawings



Code Key

İL - XSB - T5 - 242

SIGNAL TYPE

S : Continuous
F : Flashing
Ç : Strobe

BUZZER

Blank: No Buzzer
B : With Buzzer

MOUNTING TYPE

T : Base Mounting

BODY

5 : Q50

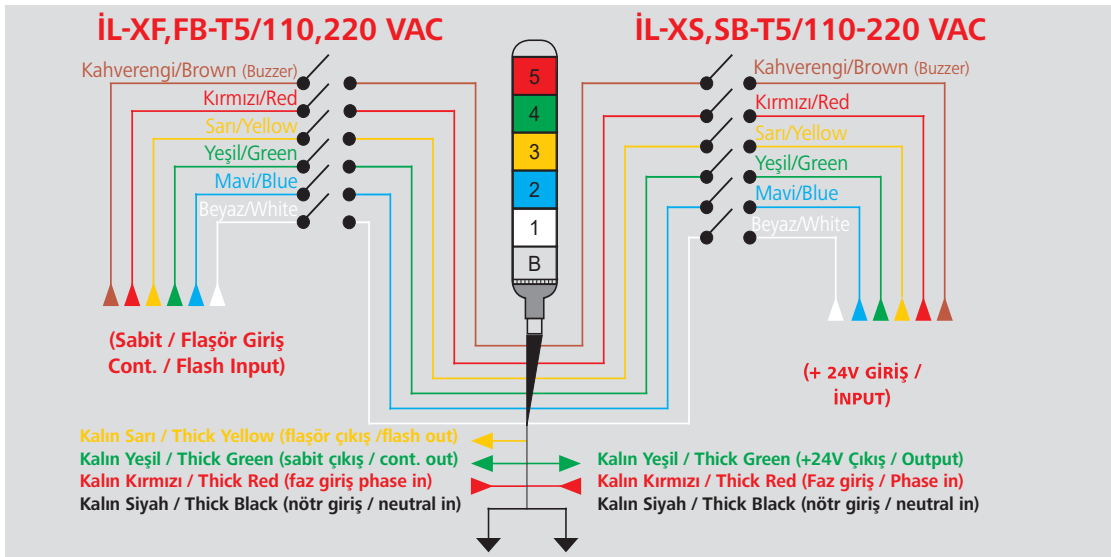
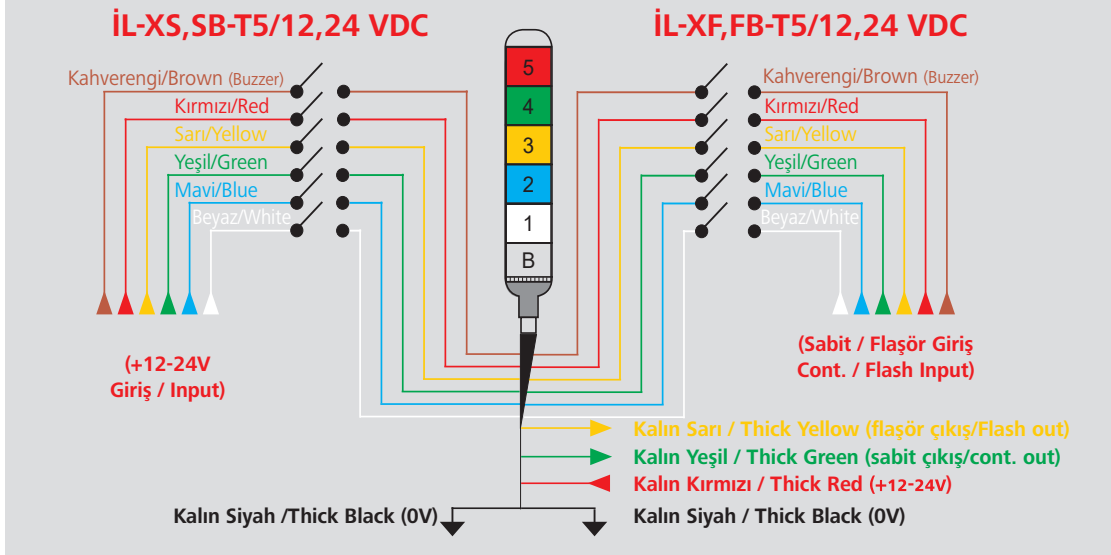
NUMBER OF SEGMENTS

1 : R ●
2 : R/G ●
3 : R/G/Y ●
4 : R/G/Y/B ●
5 : R/G/Y/B/W ○


SUPPLY VOLTAGE

12 : 12V DC/DC
24 : 24V AC/DC
48 : 48V DC
11 : 110V AC
22 : 220V AC

Electrical Connections

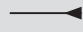


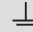
Symbols & Meanings:

 Anahtar / Switch

 Çıkış / Output

 0V / Nötr / Neutral

 Giriş / Input

 Yer Toprağı / Earh Ground



UYARI
ÇIKIŞ KABLOLARINA KESİNLİKLE ENERJİ VERMEYİNİZ.

WARNING
NEVER APPLY POWER TO OUTPUT CABLES